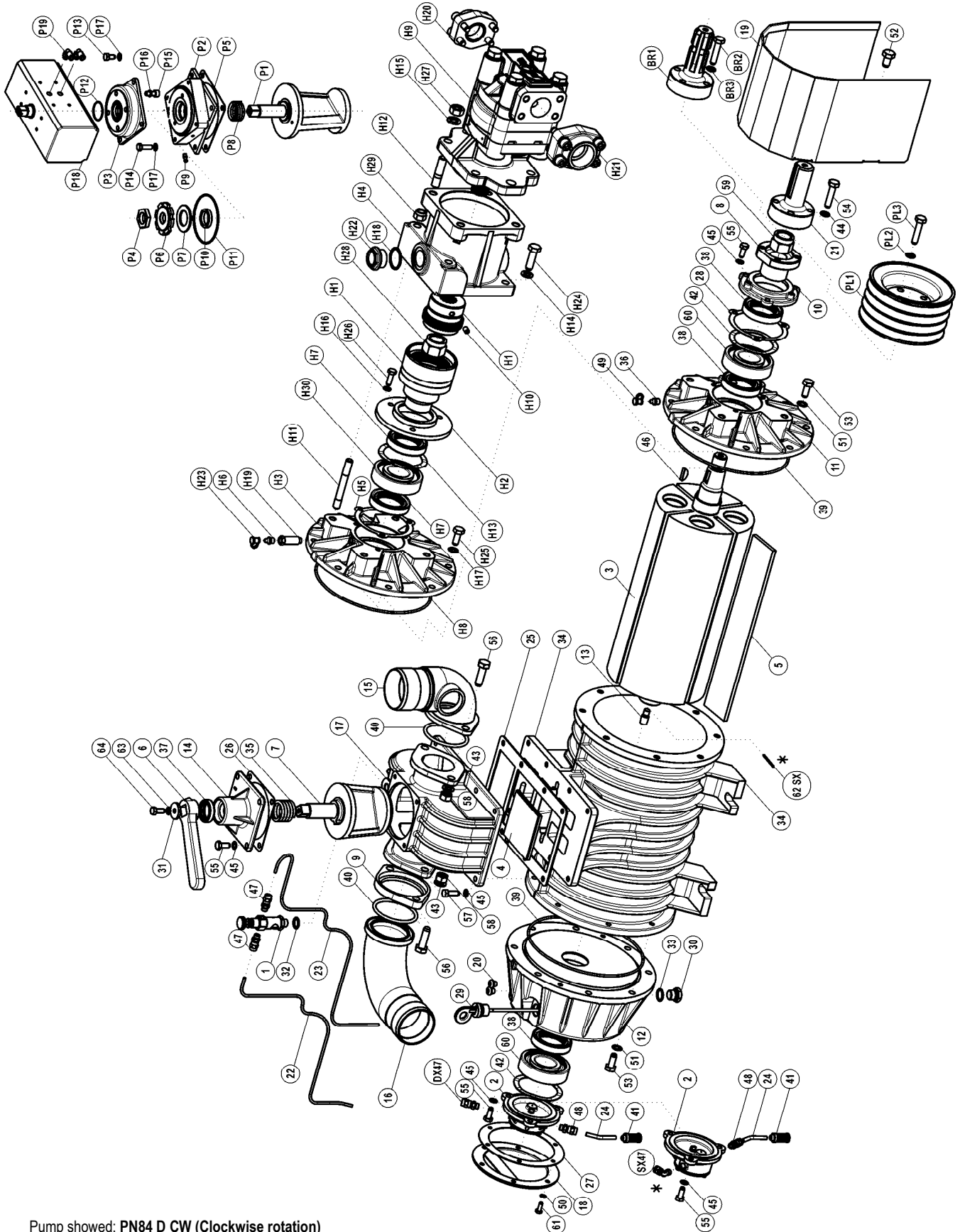


PN 45-58-84 D



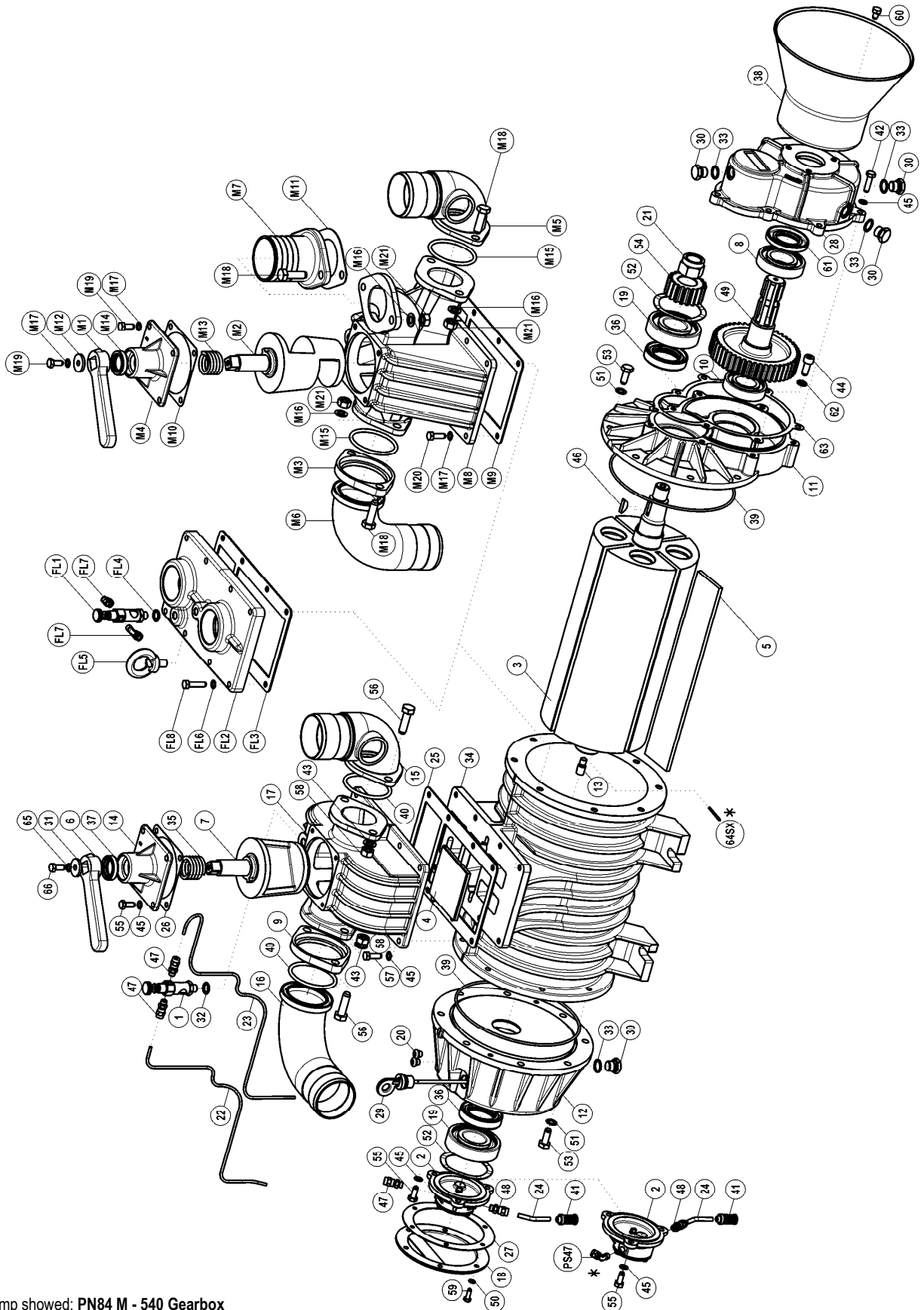
Pump showed: **PN84 D CW (Clockwise rotation)**



PN45-58-84 D

Pos.	Code	Description	Q.ty	Pos.	Code	Description	Q.ty
PN45-58-84 DIRECT DRIVE - SMOOTH SHAFT							
1	1401200400	DRIP OILER – 2 CONNECTIONS	1	51	4026351506	WASHER M10	16
2	1407200500	GEAR OIL PUMP DX	1	52	4026103000	SCREW M12X20	4
2A	1407202100	GEAR OIL PUMP SX	1	53	4026102907	SCREW M10X25	16
3	1521500300	ROTOR PN 58	1	54	4026102911	SCREW M10X45	4
	1521500200	ROTOR PN 45	1	55	4026102806	SCREW M8X20	10
	1521500400	ROTOR PN 84	1	56	4026103004	SCREW M12X40	4
4	1593600000	FLAPPER VALVE	1	57	4026102807	SCREW M8X2	8
5	1601600600	VANE PN 58 BK	3	58	4026308007	NUT M12	4
	1601600400	VANE PN 45 BK	4	59	4026305614	SELF LOCKING NUT M24X2	1
	1601600800	VANE PN 84 BK	4	60	4023100040	BEARING 40X90X23 6308	2
6	1605500000	VALVE HANDLE	1	61	4026102806	SCREW M6X16	7
7	1608500000	CONVEYOR	1	62SX	4026414617	PLUG 3X40 6873	1
8	1610006600	FLANGE FOR DIRECT DRIVE	1	63	4026308005	HEXAGONAL NUT M8	1
9	1610100000	OUTLET PORT FLANGE	1	64	4026135414	STUD SCREW M8X45	1
10	1610500400	END CAP	1	SPLINED SHAFT			
11	1610500500	DIRECT DRIVE END PLATE	1	BR1	1650004700	SPLINED SHAFT 1" 3/8	1
12	1612500300	OIL TANK	1	BR2	4026102911	SCREW M10X45	4
13	1622002600	OIL PUMP DRIVE	1	BR3	4026350708	GROWER WASHER M10	4
14	1623100000	END CAP	1	PULLEY D. 150			
15	1627100100	SUCTION MANIFOLD D.60	1	PL1	1653501000	PULLEY SPB 150X4	1
15	1627100200	SUCTION MANIFOLD D.76	1	PL2	4026350708	GROWER WASHER M10	4
16	1627100500	EXHAUST MANIFOLD D.76	1	PL3	4026102806	SCREW M8X20	4
17	1627500000	STANDARD MANIFOLD	1	PN45-58-84 HYDRAULIC DRIVE			
18	1640101100	OIL TANK COVER	1	H1	1470100400	JOINT GA 100	1
19	1642003000	CARDAN SHAFT PROTECTION	1	H2	1610005500	HYD. DRIVE FLANGE	1
20	1642600000	OIL LINE RUBBER PROTECTION	2	H3	1610500500	DIRECT DRIVE END PLATE	1
21	1650004300	SMOOTH FLANGED SHAFT	1	H4	1612501400	HYD. DRIVE GEARBOX	1
22	1663005500	OIL LINE PN 45 – DIRECT DRIVE	1	H5	1680700400	END CAP GASKET	1
	1663005100	OIL LINE PN 45 – GEARBOX	1	H6	4022100010	GRESASER	1
	1663005600	OIL LINE PN 58 – DIRECT DRIVE	1	H7	4022200110	SEAL RING 72X48X15	2
	1663005200	OIL LINE PN 58 – GEARBOX	1	H8	4022200240	O-RING OR 4825	1
	1663005700	OIL LINE PN 84 – DIRECT DRIVE	1	H9	4024107009	HYDRAULIC MOTOR	1
	1663005300	OIL LINE PN 84 – GEARBOX	1	H10	4026136005	SCREW M8X12	1
23	1663011900	OIL LINE TO LUBR. PUMP PN 45 – D.DRIVE	1	H11	4026171211	STUD SCREW M12X80	2
	1663011800	OIL LINE TO LUBR. PUMP PN 45 – G.BOX	1	H12	4026171304	STUD SCREW M14X40	4
	1663012000	OIL LINE TO LUBR. PUMP PN 58 – D.DRIVE	1	H13	4026300020	COMPENSATION RING	1
	1663010400	OIL LINE TO LUBR. PUMP PN 58 – G.BOX	1	H14	4026350709	GROWER WASHER M12	2
	1663012100	OIL LINE TO LUBR. PUMP PN 84 – D.DRIVE	1	H15	4026350710	GROWER WASHER M14	4
	1663010300	OIL LINE TO LUBR. PUMP PN 84 – G.BOX	1	H16	4026351505	WASHER M8	3
24	1663010500	LUBR. PUMP SUCTION PIPE	1	H17	4026351506	WASHER M10	8
25	1680600100	VALVE HOUSING GASKET	1	H18	4026359001	WASHER 40X33,5X1,5	1
26	1680700200	VALVE STEAM COVER GASKET	1	H19	4026705001	EXTENDED CONNECTION H 36 MM	1
27	1680707500	OIL TANK COVER GASKET	1	H20	4026711003	DRIVE FLANGE AFS 104G 1"1/4	1
28	1680700400	END CAP GASKET	1	H21	4026711004	DRIVE FLANGE AFS 106G 1"1/2	1
29	1683600300	2000 MM OIL DIP STICK	1	H22	4026904003	PLUG 1"	1
29A	1673004100	DIPSTICK SLEEVE	1	H23	4029602700	GREASERS PROTECTION CAP	1
30	1684000000	DRAIN PLUG 3/8	1	H24	4026103004	SCREW M12X40	2
31	1685002800	WASHER FE 30X8,5	1	H25	4026102907	SCREW M10X25	8
32	1685100000	WASHER 14X20X1,5	1	H26	4026107110	SCREW M8X25	3
33	1685100200	WASHER 17X22X1,5	1	H27	4026308008	NUT M14	4
34	1687500300	PUMP HOUSING PN58	1	H28	4026305614	SELF LOCKING NUT M24X2	1
	1687500200	PUMP HOUSING PN45	1	H29	4026305508	SELF LOCKING NUT M12	2
	1687500400	PUMP HOUSING PN84	1	H30	4023100040	BEARING 40X90X23 6308	1
35	1691000000	VALVE SPRING	1	PNEUMATIC 4-WAY VALVE			
36	4022100010	GRESASER	1	P1	1608557Z7B0	PNEUMATIC ACTUATOR COCK	1
37	4022200030	SEAL RING 41X27X10 GP NBR	1	P2	161258B4B0	PNEUMATIC ACTUATOR SUPPORT	1
37A	1624202300	COCK REGULATING SPACER	1	P3	1640580QB0	PNEUMATIC ACTUATOR COVER	1
38	4022200110	SEAL RING 72X48X15	3	P4	167007ZAB0	PNEUMATIC ACTUATOR NUT	1
39	4022200240	O-RING OR 4825	2	P5	1680700200	COVER GASKET	1
40	4022200250	O-RING OR 6287	2	P6	168409PQB0	COCK REGULATION FERRULE	1
41	4022300001	NYLON FILTER D.6	1	P7	168529TFB0	COCK REGULATION SPACER	1
42	4026300020	COMPENSATION RING	2	P8	1691000200	COCK SPRING	1
43	4026350609	GROWER WASHER M12	4	P9	4022100100	SPHERICAL GREASER M6X1	1
44	4026350708	GROWER WASHER M10	4	P10	4022200005	SEAL 37X27X7	1
45	4026351505	WASHER M8	18	P11	4022200330	OR 3375	1
46	4026500018	TAB 6X10	1	P12	4022200331	OR 2137	1
SX47	4026706000	UNIV. CONNECTION 90 4X1/8	1	P13	4026102804	SCREWTE M8X16	4
DX47	4026702000	UNIV. CONNECTION DIR. 4X1/8	1	P14	4026102807	SCREWTE M8X25	4
47	4026702000	UNIV. CONNECTION DIR. 4X1/8	3	P15	4026121405	SCREWTEI M8X20	4
48	4026702004	UNIV. CONNECTION DIR. 6X1/8	1	P16	4026350505	WASHER GROWERM8	4
49	4029602700	GREASERS PROTECTION CAP	1	P17	4026351505	WASHER M8	8
50	4026351505	WASHER M8	7	P18	4027100405	PNEUMATIC ACTUATOR	1
				P19	4027421206	CONNECTION R15 6XG1/8	2

PN 45-58-84 M



Pump showed: PN84 M - 540 Gearbox



PN45-58-84 M

Pos.	Code	Description	Q.ty	Pos.	Code	Description	Q.ty
540 RPM GEARBOX				42	4026102908	SCREW M8X30	7
1	1401200400	DRIP OILER – 2 CONNECTIONS	1	43	4026350709	GROWER WASHER 12	4
2	1407200500	GEAR OIL PUMP DX	1	44	4026121808	SCREW TCEI M10X25	2
2A	1407202100	GEAR OIL PUMP SX	1	45	4026351505	WASHER M8	22
3	1521500300	ROTOR PN 58	1	46	4026500018	TAB 6X10	1
	1521500200	ROTOR PN 45	1	PS47	4026706000	UNIV. CONNECTION 90 4X1/8	1
	1521500400	ROTOR PN 84	1	47	4026702000	UNIV. CONNECTION DIR. 4X1/8	1
4	1593600000	FLAPPER VALVE	1		4026702000	UNIV. CONNECTION DIR. 4X1/8	3
5	1601600600	VANE PN 58 BK	3	48	4026702004	UNIV. CONNECTION DIR. 6X1/8	1
	1601600400	VANE PN 45 BK	4	49	1651000000	DRIVE GEAR Z48	1
	1601600800	VANE PN 84 BK	4	50	4026351505	WASHER M8	7
6	1605500000	VALVE HANDLE	1	51	4026351506	WASHER M10	14
7	1608500000	CONVEYOR	1	52	4026300020	COMPENSATION RING	2
8	4023100030	BEARING 40X80X18 6208	1	53	4026102907	SCREW M10X25	14
9	1610100000	OUTLET PORT FLANGE	1	54	1651000100	PINION GEAR Z19	1
10	4023100020	BEARING 35X72X17 6207	1	55	4026102806	SCREW M8X20	7
11	1610500000	G.BOX DRIVE END PLATE	1	56	4026103004	SCREW M12X40	4
12	1612500300	OIL TANK	1	57	4026102807	SCREW M8X25	8
13	1622002600	OIL PUMP DRIVE	1	58	4026308007	NUT M12	4
14	1623100000	END CAP	1	59	4026102806	SCREW M8X20	7
15	1627100100	SUCTION MANIFOLD D.60	1	60	4026102802	SCREW M8X12	3
15	1627100200	SUCTION MANIFOLD D.76	1	61	4022200040	SEAL RING 72X40X10	1
16	1627100500	EXHAUST MANIFOLD D.76	1	62	1685100100	WASHER 10X16X1,5	2
17	1627500000	STANDARD MANIFOLD	1	63	1680700000	END COVER GASKET	1
18	1640101100	OIL TANK COVER	1	64SX	4026414617	PLUG 3X40 6873	1
19	4023100040	BEARING 40X90X23 6308	2	65	4026308005	HEXAGONAL NUT M8	1
20	1642600000	OIL LINE RUBBER PROTECTION	2	66	4026135414	STUD SCREW M8X45	1
21	4026305614	SELF LOCKING NUT M24X2	1	FLANGED MANIFOLD			
22	1663014700	OIL LINE OUTLET SIDE PN45 M MIXER	1	FL1	1401200400	DRIP OILER – 2 CONNECTIONS	1
	1663028500	FL OIL OUTLET PIPE	1	FL2	1610506400	FLANGE FL	1
	1663005100	OIL LINE PN 45 – GEARBOX	1	FL3	1680600100	VALVE HOUSING GASKET	1
	1663015100	OIL LINE OUTLET SIDE PN58 M MIXER	1	FL4	1685100000	WASHER 14X20X1,5	1
	1663022400	OIL LINE OUTLET SIDE PN84 FL	1	FL5	4026190001	THREADED RING M12	1
	1663005200	OIL LINE PN 58 – GEARBOX	1	FL6	4026351505	WASHER M8	8
	1663015500	OIL LINE OUTLET SIDE PN84 M MIXER	1	FL7	4026706000	UNIV. CONNECTION 90 4X1/8 1020	2
	1663022400	OIL LINE OUTLET SIDE PN84 FL	1	FL8	4026102801	SCREW M8X35	8
	1663005300	OIL LINE PN 84 – GEARBOX	1	FL9	1663022500	OIL LINE INLET SIDE PN84 FL	1
23	1663014800	OIL LINE INLET SIDE PN45 M MIXER	1	FL10	1663022400	OIL LINE OUTLET SIDE PN84 FL	1
	1663028600	FL OIL INLET PIPE	1	MIXER MANIFOLD			
	1663011800	OIL LINE TO LUBR. PUMP PN 45 – G.BOX	1	M1	1605500000	VALVE HANDLE	1
	1663015200	OIL LINE INLET SIDE PN58 M MIXER	1	M2	1608500100	MIXER MANIFOLD	1
	1663022500	OIL LINE INLET SIDE PN58 FL	1	M3	1610100000	OUTLET PORT FLANGE	1
	1663010400	OIL LINE TO LUBR. PUMP PN 58 – G.BOX	1	M4	1623100000	END CAP	1
	1663015600	OIL LINE INLET SIDE PN84 M MIXER	1	M5	1627100200	SUCTION MANIFOLD D.76	1
	1663022500	OIL LINE INLET SIDE PN84 FL	1	M6	1627100500	EXHAUST MANIFOLD D.76	1
	1663010300	OIL LINE TO LUBR. PUMP PN 84 – G.BOX	1	M7	1627100700	SUCTION MANIFOLD D.60 - MIXER	1
24	1663010500	LUBR. PUMP SUCTION PIPE	1	M7	1627100900	SUCTION MANIFOLD D.80 - MIXER	1
25	1680600100	VALVE HOUSING GASKET	1	M8	1627500100	MIXER MANIFOLD	1
26	1680700200	VALVE STEM COVER GASKET	1	M9	1680600100	VALVE HOUSING GASKET	1
27	1680707500	OIL TANK COVER GASKET	1	M10	1680700200	VALVE STEM COVER GASKET	1
28	1612503100	GEARBOX	1	M11	1680700600	MIXER CONNECTION GASKET	1
29	1683600300	200 MM OIL DIP STICK	1	M12	1685002800	WASHER FE 30X8,5	1
29A	1673004100	DIPSTICK SLEEVE	1	M13	1691000000	VALVE SPRING	1
30	1684000000	DRAIN PLUG 3/8	4	M14	4022200030	SEAL RING 41X27X10	1
31	1685002800	WASHER FE 30X8,5	1	M15	4022200250	O-RING OR 6287	2
32	1685100000	WASHER 14X20X1,5	1	M16	4026350709	GROWER WASHER 12	6
33	1685100200	WASHER 17X22X1,5	4	M17	4026351505	WASHER M8	13
34	1687500300	PUMP HOUSING PN58	1	M18	4026103004	SCREW M12X40	6
	1687500200	PUMP HOUSING PN45	1	M19	4026102806	SCREW M8X208	5
	1687500400	PUMP HOUSING PN84	1	M20	4026102807	SCREW M8X25	8
35	1691000000	VALVE SPRING	1	M21	4026308007	NUT M12	6
36	4022200110	SEAL RING 72X48X15	2	22	1663014700	OIL LINE OUTLET SIDE PN45 M MIXER	1
37	4022200030	SEAL RING 41X27X10 GP NBR	1	22	1663015100	OIL LINE OUTLET SIDE PN58 M MIXER	1
37A	1624202300	COCK REGULATING SPACER	1	22	1663015500	OIL LINE OUTLET SIDE PN84 M MIXER	1
38	4029602806	CARDAN SHAFT PROTECTION	1	23	1663014800	OIL LINE INLET SIDE PN45 M MIXER	1
39	4022200240	O-RING 4825	2	23	1663015200	OIL LINE INLET SIDE PN58 M MIXER	1
40	4022200250	O-RING 6287	2	23	1663015600	OIL LINE INLET SIDE PN84 M MIXER	1
41	4022300001	NYLON FILTER D.6	1				