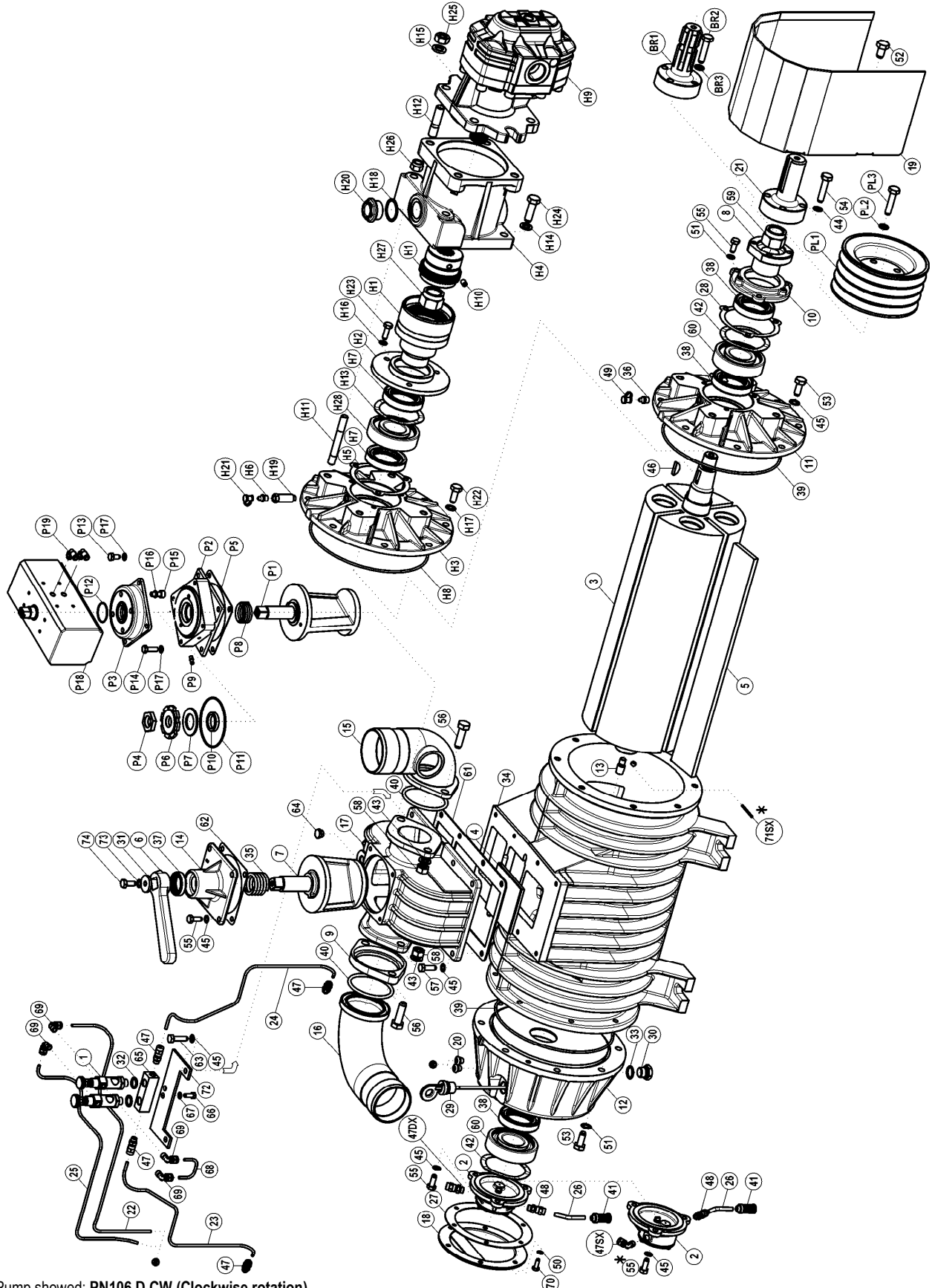


**PN 106 D**



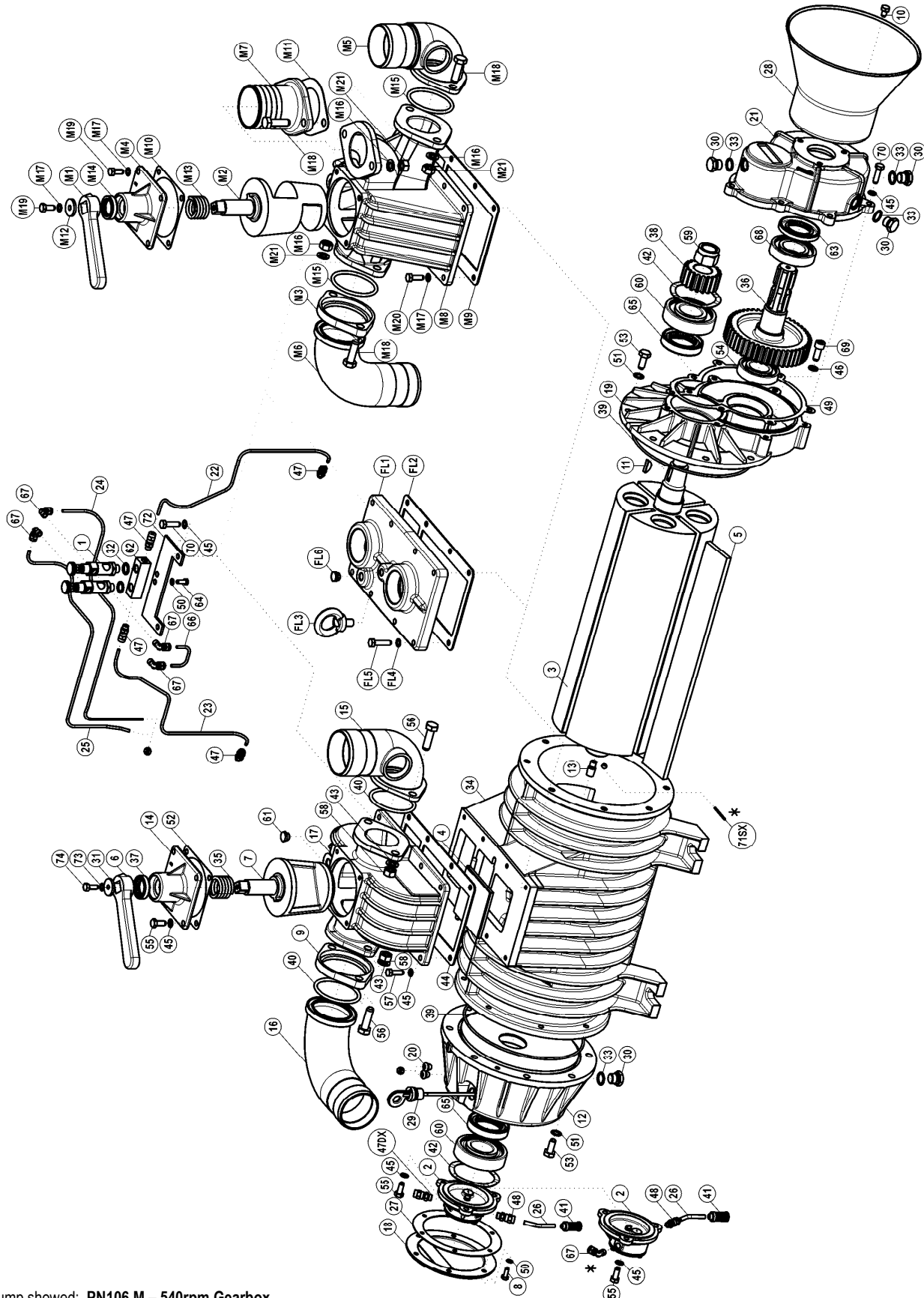
Pump showed: **PN106 D CW (Clockwise rotation)**



**PN106 D**

Pos.	Code	Description	Q.ty	Pos.	Code	Description	Q.ty
<b>PN106 DIRECT DRIVE - SMOOTH SHAFT</b>							
1	1401200400	DRIP OILER – 2 CONNECTIONS	2	62	1680700200	VALVE STEM COVER GASKET	1
2	1407200500	GEAR OIL PUMP DX	1	63	4026102808	SCREW M8X30	2
2A	1407202100	GEAR OIL PUMP SX	1	64	4026905002	PLUG 1/2"	1
3	1521500500	PUMP ROTOR	1	65	1608100000	HYD. CONTROL VALVE	1
4	1593600000	FLAPPER VALVE	1	66	4026102704	SCREW M6X16	2
5	1601601000	VANE PN 106	4	67	4026351504	WASHER M6	2
6	1605500000	VALVE HANDLE	1	68	1663011000	OILER CONNECTION PIPE	1
7	1608500000	CONVEYOR	1	69	4026706000	UNIV. CONNECTION 90 4X1/8 1020	4
8	1610006600	FLANGE FOR DIRECT DRIVE	1	70	4026102704	SCREW M8X20	7
9	1610100000	OUTLET PORT FLANGE	1	71SX	4026414617	PLUG 3X40 6873	1
10	1610500400	END CAP	1	72	1681100100	OILER SUPPORT PLATE	1
11	1610500500	DIRECT DRIVE END PLATE	1	73	4026308005	HEXAGONAL NUT M8	1
12	1612500300	OIL TANK	1	74	4026135414	STUD SCREW M8X45	1
13	1622002600	OIL PUMP DRIVE	1	<b>PN106 HYDRAULIC DRIVE</b>			
14	1623100000	END CAP	1	H1	1470100400	JOINT GA 100	1
15	1627100300	SUCTION MANIFOLD D.80	1	H2	1610005500	HYD. DRIVE FLANGE	1
16	1627100500	EXHAUST MANIFOLD D.76	1	H3	1610500500	DIRECT DRIVE END PLATE	1
17	1627500000	STANDARD MANIFOLD	1	H4	1612501400	HYD. DRIVE GEARBOX	1
18	1640101100	OIL TANK COVER	1	H5	1680700400	END CAP GASKET	1
19	1642003000	CARDAN SHAFT PROTECTION	1	H6	4022100010	GREASER	1
20	1642600000	OIL LINE RUBBER PROTECTION	2	H7	4022200110	SEAL RING 72X48X15	2
21	1650004300	SMOOTH FLANGED SHAFT	1	H8	4022200240	O-RING OR 4825	1
22	1663025200	OIL LINE DX	1	H9	4024107001	HYDRAULIC MOTOR	1
22	1663018700	OIL LINE SX	1	H10	4026136005	SCREW M8X12	1
23	1663018500	OIL LINE DX	1	H11	4026171211	STUD SCREW M12X80	2
23	1663018600	OIL LINE SX	1	H12	4026171304	STUD SCREW M14X40	4
24	1663018600	OIL LINE DX	1	H13	4026300020	COMPENSATION RING	1
24	1663018500	OIL LINE SX	1	H14	4026350709	GROWER WASHER M12	2
25	1663025100	OIL LINE DX	1	H15	4026350710	GROWER WASHER M14	4
25	1663018400	OIL LINE SX	1	H16	4026351505	WASHER M8	3
26	1663010500	LUBR. PUMP SUCTION PIPE	1	H17	4026351506	WASHER M10	8
27	1680707500	OIL TANK COVER GASKET	1	H18	4026359001	WASHER 40X33.5X1.5	1
28	1680700400	END CAP GASKET	1	H19	4026705001	EXTENDED CONNECTION H 36 MM	1
29	1683600300	200 MM OIL DIP STICK	1	H20	4026904003	PLUG 1"	1
29A	1673004100	DIPSTICK SLEEVE	1	H21	4029602700	GREASERS PROTECTION CAP	1
30	1684000000	DRAIN PLUG 3/8	1	H22	4026102907	SCREW M10X25	8
31	1685002800	WASHER FE 30X8,5	1	H23	4026102807	SCREW M8X25	3
32	1685100000	WASHER 14X20X1.5	2	H24	4026103004	SCREW M12X40	2
33	1685100200	WASHER 17X22X1,5	1	H25	4026308008	NUT M14	4
34	1687500500	HOUSING PN106	1	H26	4026305508	SELF LOCKING NUT M12	2
35	1691000000	VALVE SPRING	1	H27	4026305614	SELF LOCKING NUT M24X2	1
36	4022100010	GREASER	1	H28	4023100040	BEARING 40X90X23 6308	1
37	4022200030	SEAL RING 41X27X10 GP NBR	1	<b>SPLINED SHAFT</b>			
37A	1624202300	COCK REGULATING SPACER	1	BR1	1650004700	SPLINED SHAFT 1" 3/8	1
38	4022200110	SEAL RING 72X48X15	3	BR2	4026102911	SCREW M10X45	4
39	4022200240	O-RING OR 4825	2	BR3	4026350708	GROWER WASHER M10	4
40	4022200250	RING OR 6287	2	<b>PULLEY D. 150</b>			
41	4022300001	NYLON FILTER D.6	1	PL1	1653501000	PULLEY SPB 150X4	1
42	4026300020	COMPENSATION RING	2	PL2	4026350708	GROWER WASHER M10	4
43	4026350609	GROWER WASHER M12	4	PL3	4026102806	SCREW M8X20	4
44	4026350708	GROWER WASHER M10	4	<b>PNEUMATIC 4-WAY VALVE</b>			
45	4026350909	WASHER M8	18	P1	160855727B0	PNEUMATIC ACTUATOR COCK	1
46	4026500018	TAB 6X10	1	P2	161258B4B0	PNEUMATIC ACTUATOR SUPPORT	1
47SX	4026702004	UNIV. CONNECTION. DIR. 6X1/8 1050	1	P3	1640580QB0	PNEUMATIC ACTUATOR COVER	1
47DX	4026702000	UNIV. CONNECTION DIR. 4X1/8 1050	1	P4	167007ZAB0	PNEUMATIC ACTUATOR NUT	1
47	4026702000	UNIV. CONNECTION DIR. 4X1/8 1050	3	P5	1680700200	COVER GASKET	1
48	4026702004	UNIV. CONNECTION DIR. 6X1/8 1050	1	P6	168409PQB0	COCK REGULATION FERRULE	1
49	4029602700	GREASERS PROTECTION CAP	1	P7	168529TFB0	COCK REGULATION SPACER	1
50	4026351505	WASHER M8	7	P8	1691000200	COCK SPRING	1
51	4026351506	WASHER M10	16	P9	4022100100	SPHERICAL GREASER M6X1	1
52	4026103000	SCREW M12X20	4	P10	4022200005	SEAL 37X27X7	1
53	4026102907	SCREW M10X25	16	P11	4022200330	OR 3375	1
54	4026102911	SCREW M10X45	4	P12	4022200331	OR 2137	1
55	4026102806	SCREW M8X20	10	P13	4026102804	SCREWTE M8X16	4
56	4026103004	SCREW M12X40	4	P14	4026102807	SCREWTE M8X25	4
57	4026102807	SCREW M8X25	6	P15	4026121405	SCREWTEI M8X20	4
58	4026308007	NUT M12	4	P16	4026350505	WASHER GROWERM8	4
59	4026305614	SELF LOCKING NUT M24X2	1	P17	4026351505	WASHER M8	8
60	4023100040	BEARING 40X90X23 6308	2	P18	4027100405	PNEUMATIC ACTUATOR	1
61	1680600100	VALVE HOUSING GASKET	1	P19	4027421206	CONNECTION R15 6XG1/8	2

**PN 106 M**



Pump showed: PN106 M – 540rpm Gearbox



**PN106 M**

Pos.	Code	Description	Q.ty	Pos.	Code	Description	Q.ty
<b>540 RPM GEARBOX</b>				48	4026702004	UNIV. CONNECTION DIR. 6X1/8 1050	1
1	1401200400	DRIP OILER – 2 CONNECTIONS	2	49	1680700000	END COVER GASKET	1
2	1407200500	GEAR OIL PUMP DX	1	50	4026351505	WASHER M8	7
2A	1407202100	GEAR OIL PUMP SX	1	51	4026351506	WASHER M10	14
3	1521500500	PUMP ROTOR	1	52	1680700200	VALVE STEM COVER GASKET	1
4	1593600000	FLAPPER VALVE	1	53	4026102907	SCREW M10X25	14
5	1601601000	VANE	4	54	4023100020	BEARING 35 X 72 X 17 6207	1
6	1605500000	VALVE HANDLE	1	55	4026102806	SCREW M8X20	7
7	1608500000	CONVEYOR	1	56	4026103004	SCREW M12X40	4
8	4026102407	SCREW M8X20	7	57	4026102807	SCREW M8X25	6
9	1610100000	OUTLET PORT FLANGE	1	58	4026308007	NUT M12	4
10	4026102802	SCREW M8X12	3	59	4026305614	SELF LOCKING NUT M24X2	1
11	4026500018	TAB 6X10	1	60	4023100040	BEARING 40X90X23 6308	2
12	1612500300	OIL TANK	1	61	4026905002	PLUG 1/4"	1
13	1622002600	OIL PUMP DRIVE	1	62	1608100000	HYD. CONTROL VALVE	1
14	1623100000	END CAP	1	63	4022200040	SEAL RING 72X40X10	1
15	1627100300	SUCTION MANIFOLD D.80	1	64	4026102704	SCREW M6X16	2
16	1627100500	EXHAUST MANIFOLD D.76	1	65	4022200110	SEAL RING 72X48X15	2
17	1627500000	STANDARD MANIFOLD	1	66	1663011000	OILER CONNECTION PIPE	1
18	1640101100	OIL TANK COVER	1	67	4026706000	UNIV. CONNECTION 90 4X1/8 1020	5
19	1610500000	G.BOX DRIVE END PLATE	1	68	4023100030	BEARING 40X80X18 6208	1
20	1642600000	OIL LINE RUBBER PROTECTION	2	69	4026120505	SCREW TCEI M10X25	2
21	1612503100	GEARBOX	1	70	4026107111	SCREW M8X30	9
22	1663018600	OIL LINE DX	1	71SX	4026414617	PLUG 3X40 6873	1
	1663018500	OIL LINE SX	1	72	1681100100	OILER SUPPORT PLATE	1
23	1663018500	OIL LINE DX	1	73	4026308005	HEXAGONAL NUT M8	1
	1663018600	OIL LINE SX	1	74	4026135414	STUD SCREW M8X45	1
24	1663025200	OIL LINE DX	1	<b>FLANGED MANIFOLD</b>			
	1663018700	OIL LINE SX	1	FL1	1610506400	FLANGE FL	1
25	1663025100	OIL LINE DX	1	FL2	1680600100	VALVE HOUSING GASKET	1
	1663018400	OIL LINE SX	1	FL3	4026190001	THREADED RING M12	1
26	1663010500	LUBR. PUMP SUCTION PIPE	1	FL4	4026350909	WASHER M8	8
27	1680700300	OIL TANK COVER GASKET	1	FL5	4026102801	SCREW M8X35	8
28	4029602806	CARDAN SHAFT PROTECTION	1	FL6	4026905002	PLUG 1/4"	1
29	1683600300	200 MM OIL DIP STICK	1	<b>PN MIX COLLECTOR</b>			
29A	1673004100	DIPSTICK SLEEVE	1	M1	1605500000	VALVE HANDLE	1
30	1684000000	DRAIN PLUG 3/8	4	M2	1608500100	MIXER MANIFOLD	1
31	1685002800	WASHER 30X8,5	1	M3	1610100000	OUTLET PORT FLANGE	1
32	1685100000	WASHER 14X20X1,5	2	M4	1623100000	END CAP	1
33	1685100200	WASHER 17X22X1,5	4	M5	1627100200	SUCTION MANIFOLD D.76	1
34	1687500500	HOUSING PN106	1	M6	1627100500	EXHAUST MANIFOLD D.76	1
35	1691000000	VALVE SPRING	1	M7	1627100800	SUCTION MANIFOLD DIA 80 - MIXER	1
36	1651000000	DRIVE GEAR Z48	1	M8	1627500100	MIXER MANIFOLD	1
37	4022200030	SEAL RING 41X27X10 GP NBR	1	M9	1680600100	VALVE HOUSING GASKET	1
37A	1624202300	COCK REGULATING SPACER	1	M10	1680700200	VALVE STEM COVER GASKET	1
38	1651000100	PINION GEAR Z19	1	M11	1680700600	MIXER CONNECTION GASKET	1
39	4022200240	O-RING OR 4825	2	M12	1685002800	WASHER FE 30X8,5	1
40	4022200250	RING OR 6287	2	M13	1691000000	VALVE SPRING	1
41	4022300001	NYLON FILTER D.6	1	M14	4022200030	SEAL RING 41X27X10 GP NBR	1
42	4026300020	COMPENSATION RING	2	M15	4022200250	RING OR 6287	2
43	4026350709	GROWER WASHER M12	4	M16	4026350609	GROWER WASHER M12	6
44	1680600100	VALVE HOUSING GASKET	1	M17	4026350909	WASHER M8	13
45	4026351505	WASHER M8	22	M18	4026103004	SCREW M12X40	6
46	1685100100	WASHER 10X16X1,5	2	M19	4026107108	SCREW M8X20	5
DX47	4026702000	UNIV. CONNECTION .DIR. 4X1/8	4	M20	4026107110	SCREW M8X25	6
47	4026702000	UNIV. CONNECTION .DIR. 4X1/8	3	M21	4026308007	NUT M12	6